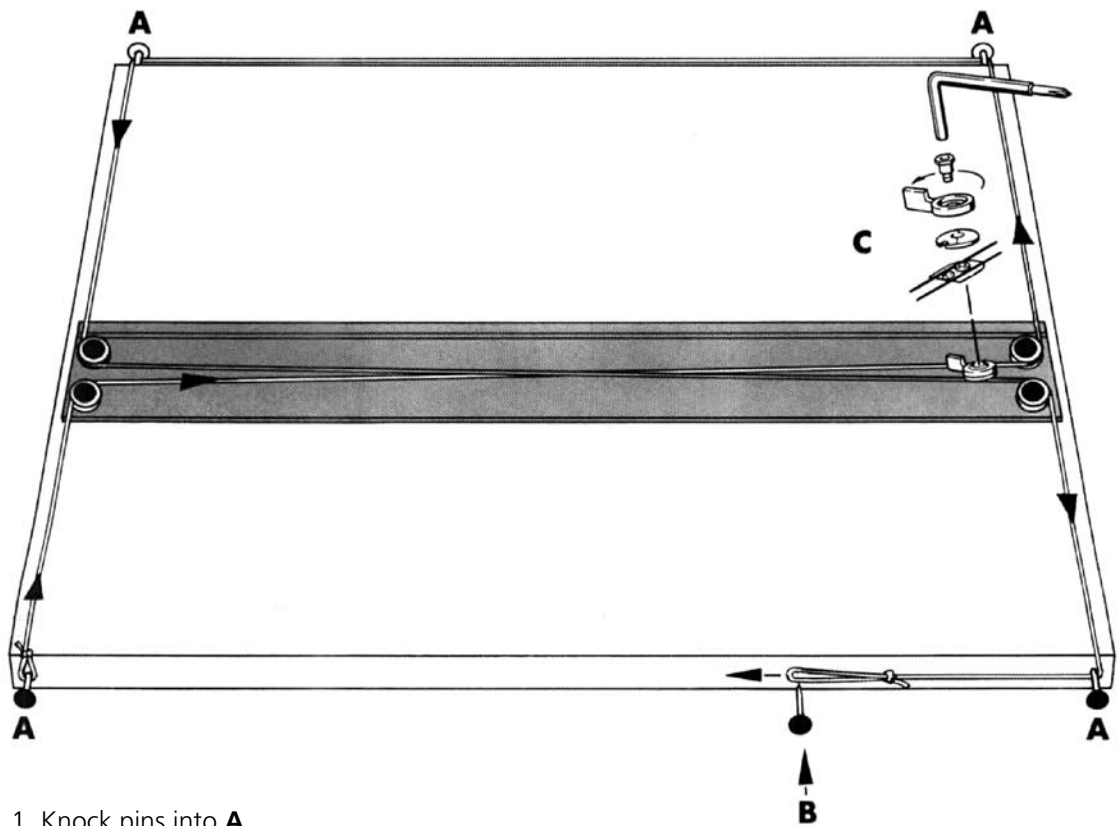


Rumold cord-led parallel rule Maraline



1. Knock pins into **A**.
2. Thread cord in direction of arrow.
3. Tension cord and secure with pin **B**.
4. Mount braking device **C**.

Caution: Tighten srew lightly only.