



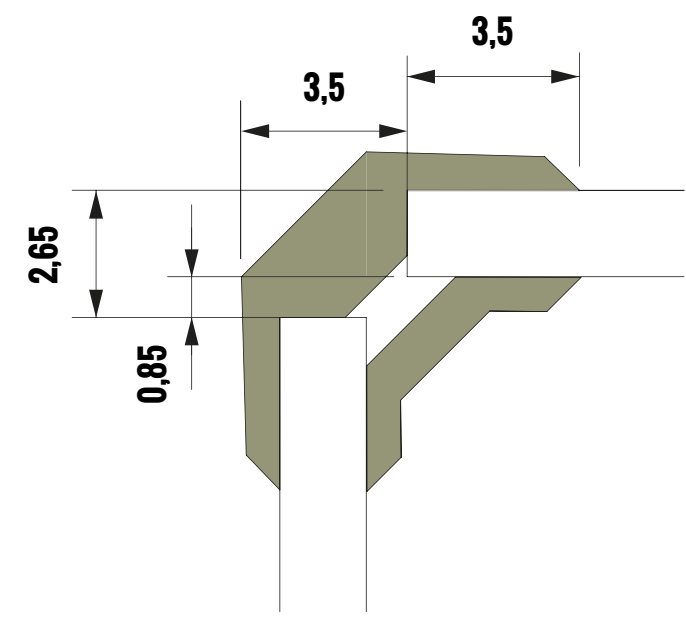
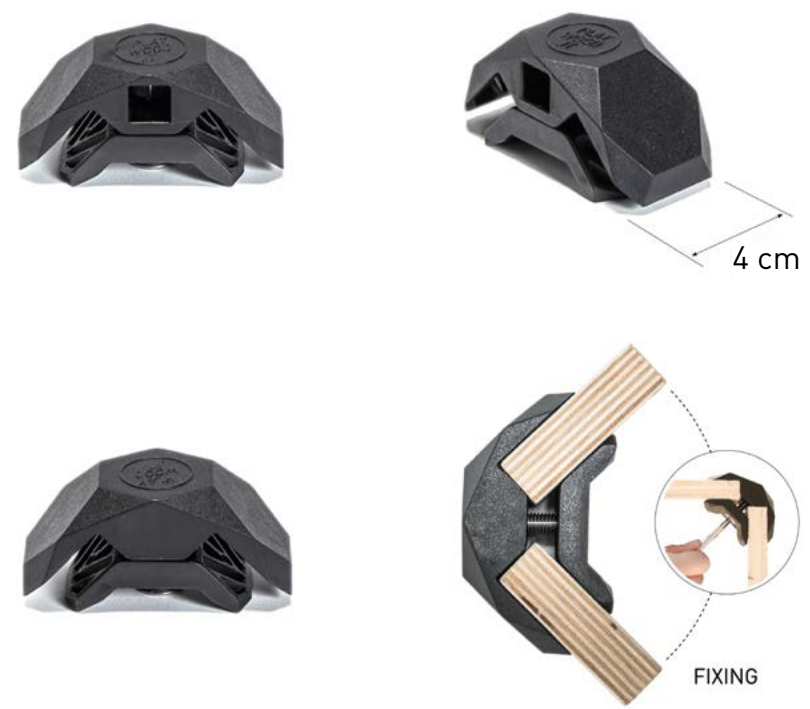
Innovative assembly system simple, fast and creative

PlayWood technical information
www.playwood.it



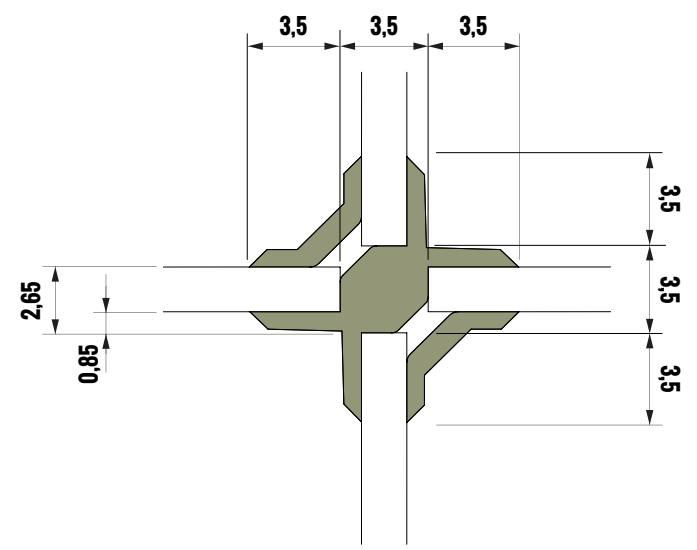
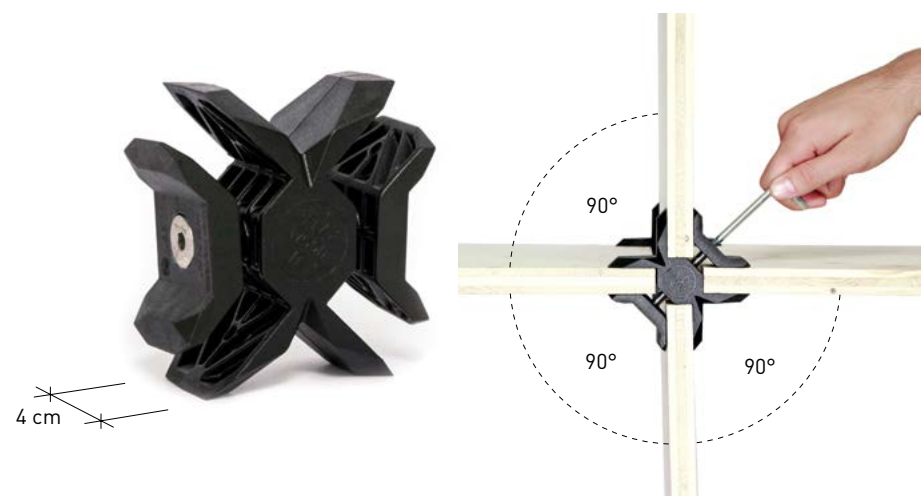
90° CONNECTORS

for panels 16 ~ 19 mm thick



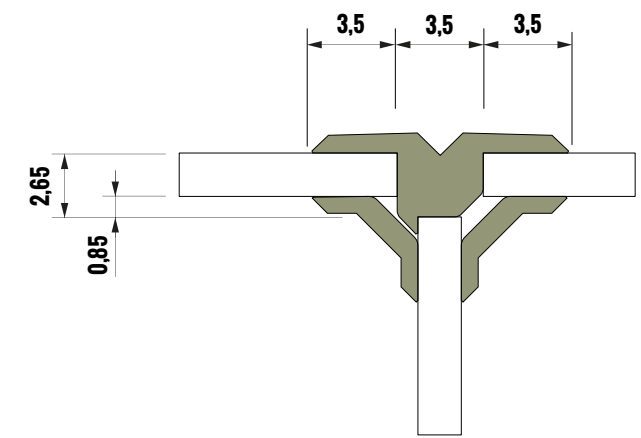
CROSS CONNECTORS

for panels 18 ~ 19 mm thick

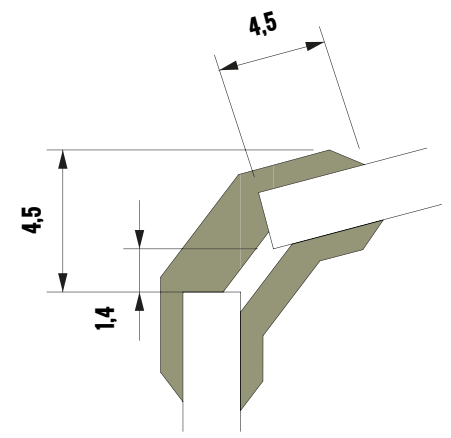
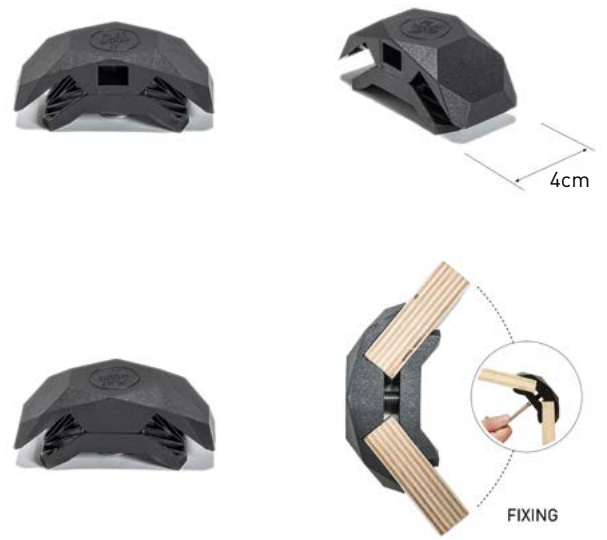


T-SHAPE CONNECTORS

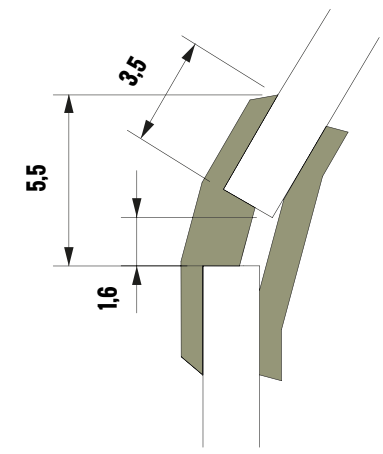
for panels 18 ~ 19 mm thick



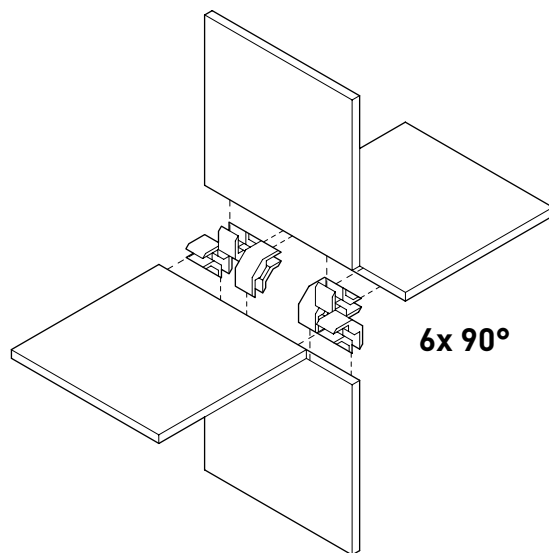
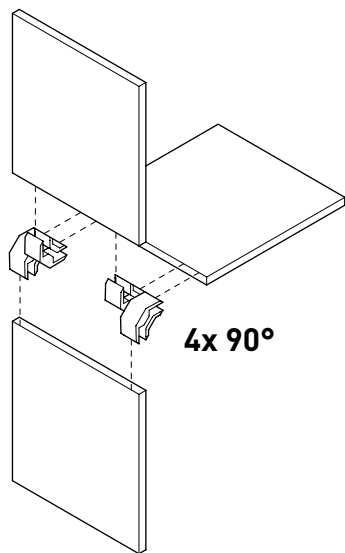
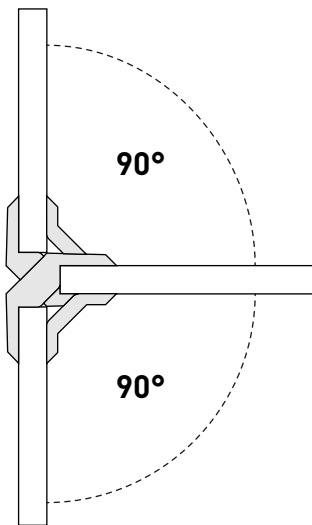
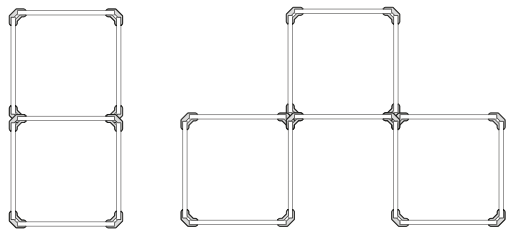
105° CONNECTORS for panels 16 ~ 19 mm thick



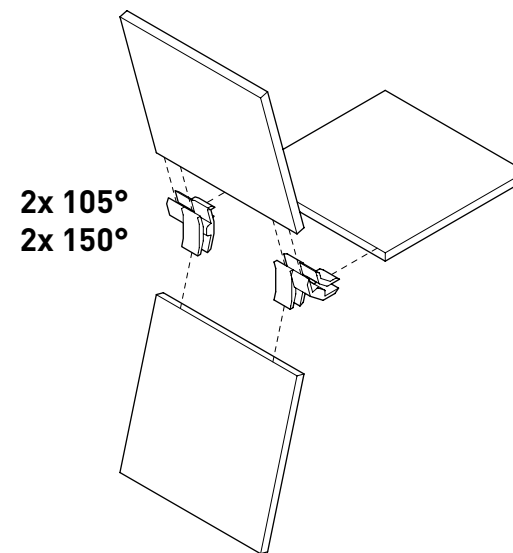
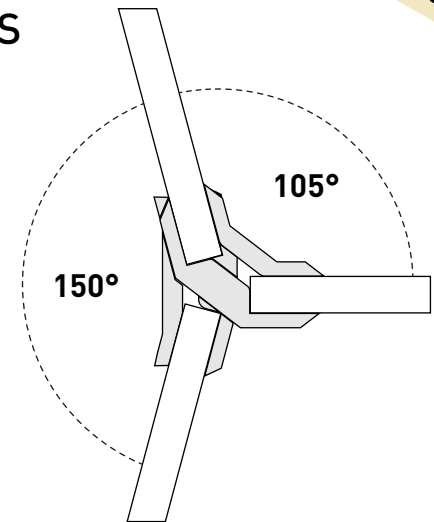
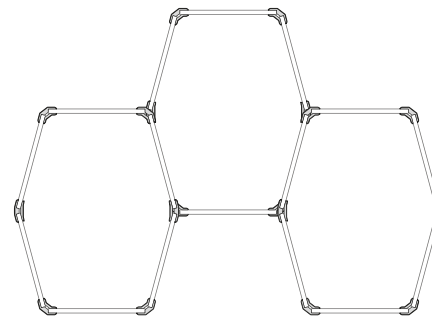
150° CONNECTORS for panels 16 ~ 19 mm thick



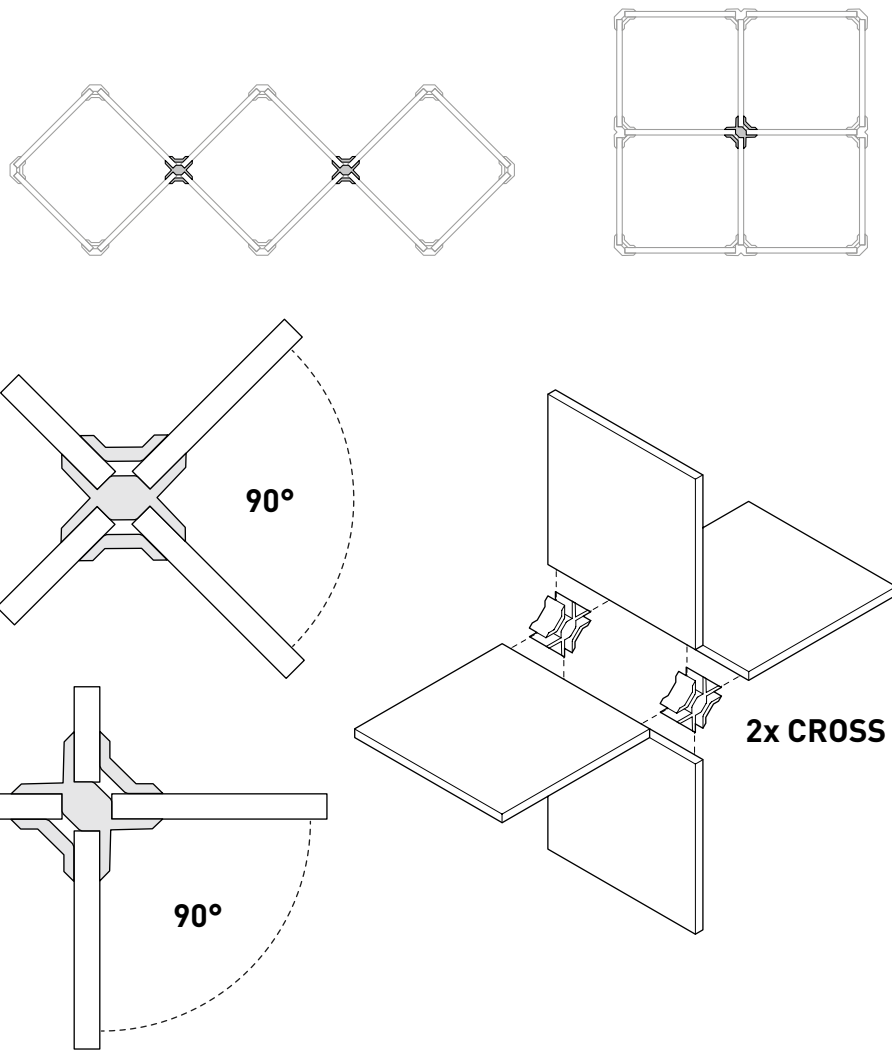
90° CONNECTORS



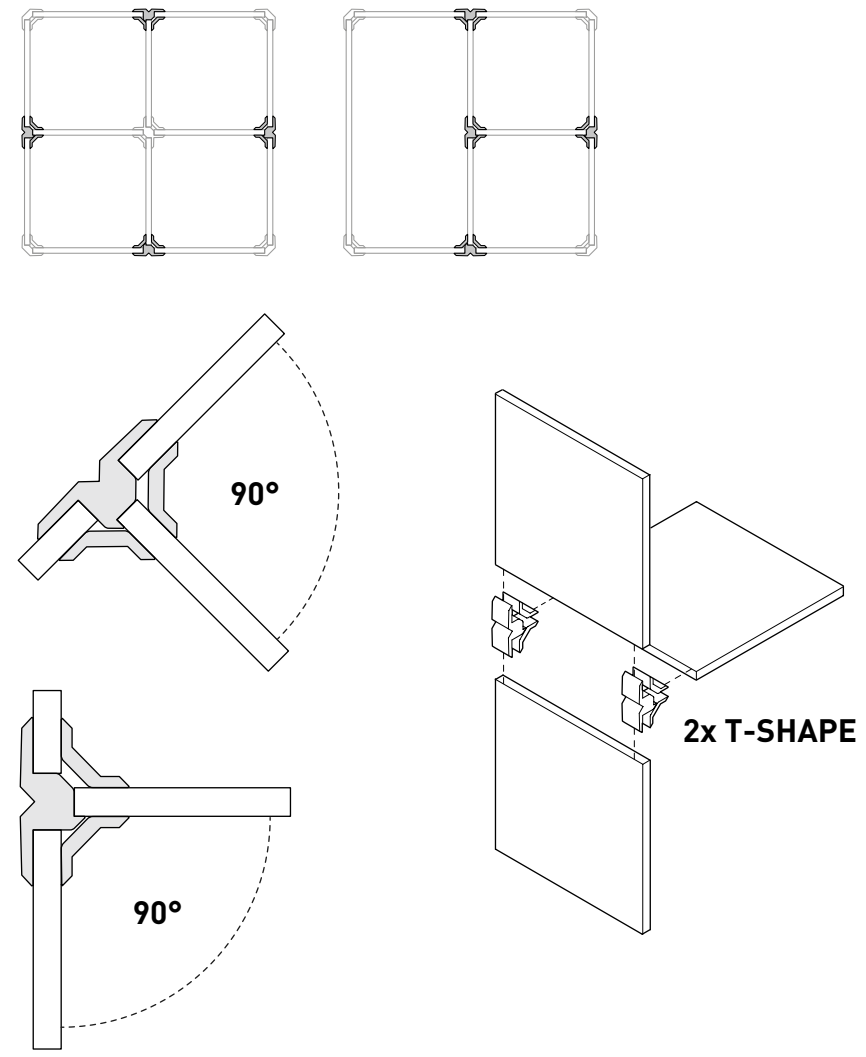
105°/ 150° CONNECTORS



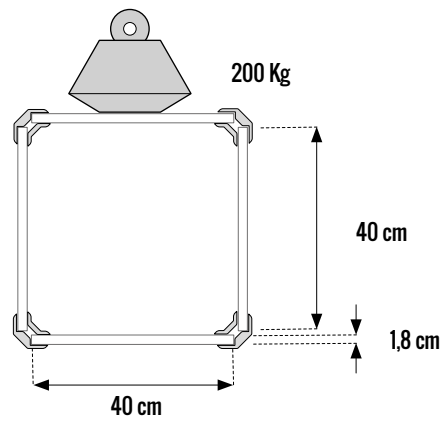
CROSS CONNECTOR



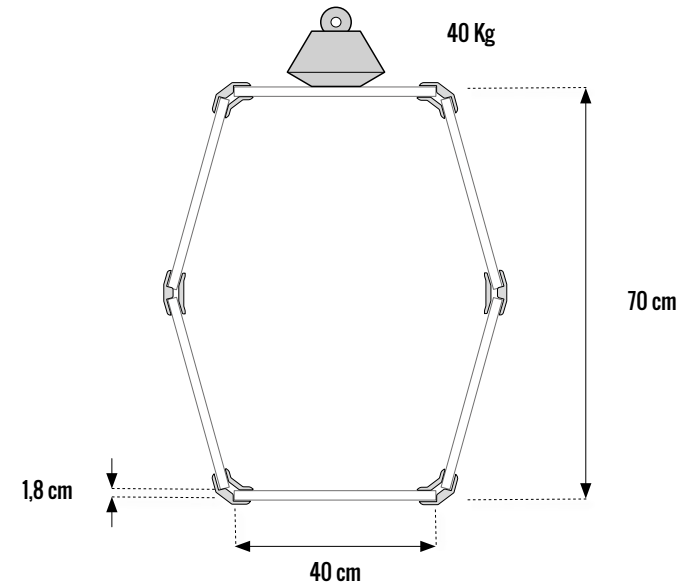
T-SHAPE CONNECTOR



SQUARE-SHAPED STRUCTURE



HEXAGONAL-SHAPED STRUCTURE





3 LAYERS FIR BLOCK BOARD

Optimal outline, easy to cut.
High resistance to cross traction.
High rigidity.



EASY TO PAINT



EASY TO WORK



ROUGH EDGE



LIGHT WEIGHT



LOADS RESISTANT



OSB 3

Particular appearance consisting of wood chips. Structural panels can be used in damp places. Good resistance to horizontal stresses. High resistance to cross traction. High rigidity.



RECYCLED



WITH PROTECTIVE VARNISH



EASY TO WORK



ROUGH EDGE



LIGHT WEIGHT



HUMIDITY RESISTANT



BILAMINATED WHITE POPLAR

High mechanical resistance.
High rigidity.
Finished aesthetical appearance.
Light & Scratchproof.



COLORED



LOADS RESISTANT



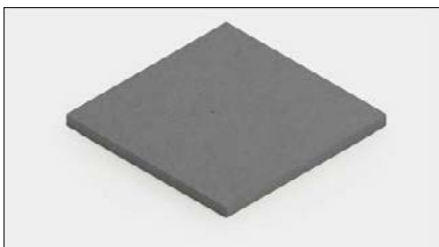
EASY TO CLEAN



EASY TO WORK



HUMIDITY RESISTANT



MDF

Optimal outline, easy to cut.
High resistance.
Uniform fiber structure.
Low degree of swelling.
Great capability of soundproofing.



COLORED



LOADS RESISTANT



EASY TO CLEAN



EASY TO WORK



FINISHED EDGE